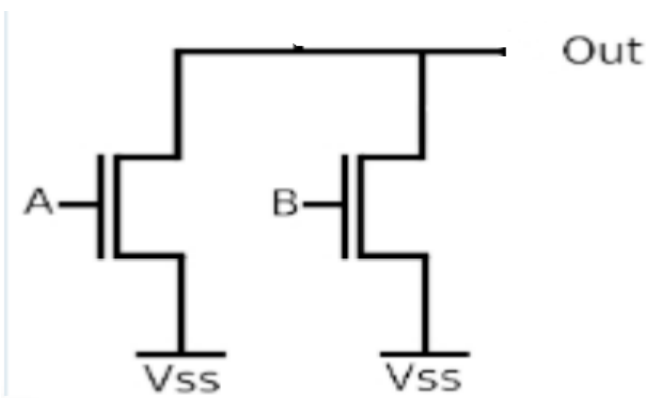


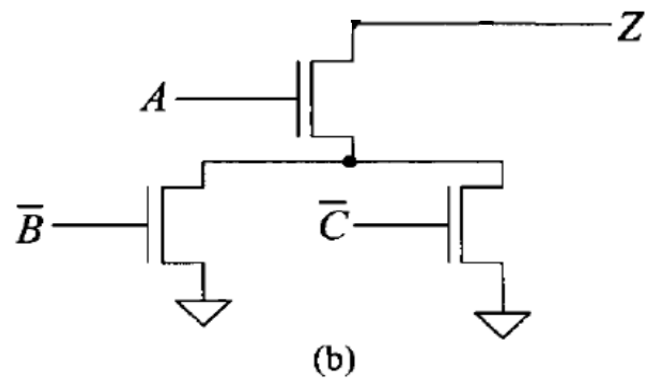
1- Using AOI logic, implement the following logic functions:

- a) $Z = \overline{A} + BC$
- b) $Z = A + \overline{B}C + CD$

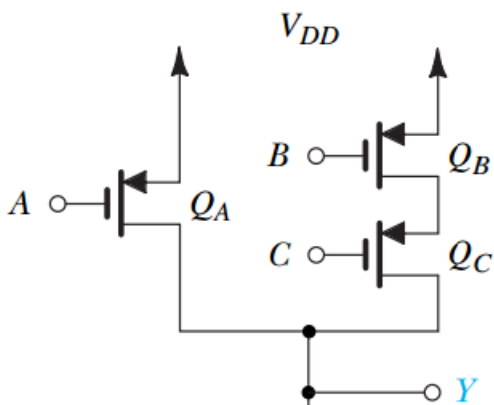
2- Find an expression for the output in each circuit and draw the other part.



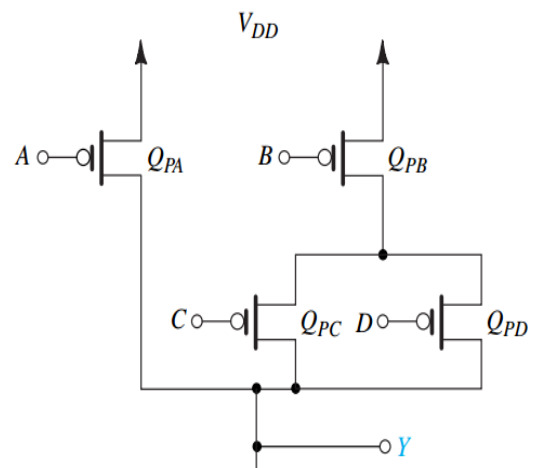
A



(b)



C



D